

Submittal Data Sheet

Single Package Air Conditioner with Electric Heat 14 SEER (13.4 SEER2) - R-410A - 3 nominal ton to 5 nominal ton Models: PCE4*36 to 60 - Three-Phase

Job name:		Location:		
Purchaser:		Order number:		
Engineer:				
Submitted to:	For:	Ref:	Approval:	Construction:
Submitted by:			Date:	
Unit designation:		Schedule number:		Model number:

Product data

Cooling performance	
Total capacity _____	MBH
Sensible capacity _____	MBH
Outdoor design temperature _____	°F DB/WB
Total supply air _____	CFM
Temperature of air entering	
Indoor coil _____	°F DB/WB
Power input required (minus blower motor) _____	kW
Heating performance	
Optional electric heat	
Input/output capacity _____	kW
Supply air blower performance	
Total supply air _____	CFM
Total resistance external to unit _____	IWG
Blower speed (circle) _____	1 2 3 4 5
Motor rating _____	hp
Power input required _____	W
Electrical data	
Power supply _____/_____/_____	
Total unit ampacity _____	A
Minimum wire size _____	AWG
Maximum overcurrent device	
___ Fuse ___ Circuit breaker ___	A
Overcurrent device	
<input type="checkbox"/> Fuses <input type="checkbox"/> Circuit breaker	
Unit weight	
Total Unit Weight (Operational) _____	lb

Features

- R-410A refrigerant
- All models are rated at 14 SEER (13.4 SEER2) per DOE procedures and are AHRI certified.
- All models are single-stage cooling with optional electric heat.
- Two cabinet footprints for installation flexibility.
- Easily convertible from horizontal supply airflow to downflow supply airflow applications.
- Removable base rails with built-in rigging and shipping provisions.
- Outdoor coils are constructed of rifled copper tube with enhanced aluminum fins for long-lasting durability and efficient performance.
- Indoor coils are made from aluminum tubing and enhanced aluminum fins for performance and formicary corrosion protection.
- Indoor blowers are equipped with five-speed energy efficient standard ECM motors.
- Field-installed 6HK electric heat kits are available from 10 kW to 25 kW in 208/230-3-60 and 460-3-60.
- 208/230 V electric heat kits are stageable above 15 kW.
- Single-point field wiring kits are available for all applications.
- The cabinet is made of G90 galvanized steel with a powder paint coating for appearance and protection with superior corrosion resistance. The paint is 1,000 h salt spray tested.
- Individual access panels covering all major components make servicing easy.
- The outdoor coil grille uses a stamped slotted design that provides superior impact protection against small objects during transit and after installation.
- Slide-out blower assembly and indoor coil for easy cleaning and service.
- Long-life, permanently lubricated outdoor fan motor bearings and indoor blower motor bearings need no annual maintenance, adding greater reliability to the unit.
- Bottom or side electrical connections for easy installation.
- Internal filter rack kit is shipped with all three-phase models.
- Complete line of field installed accessories includes roof curb and adapters, economizers, manual air dampers, duct transitions, and more.

Warranty summary

Standard 1-year limited parts warranty.
Standard 5-year limited compressor warranty.
See the limited warranty certificate in the *User's Information Manual* for details.

Unit clearances

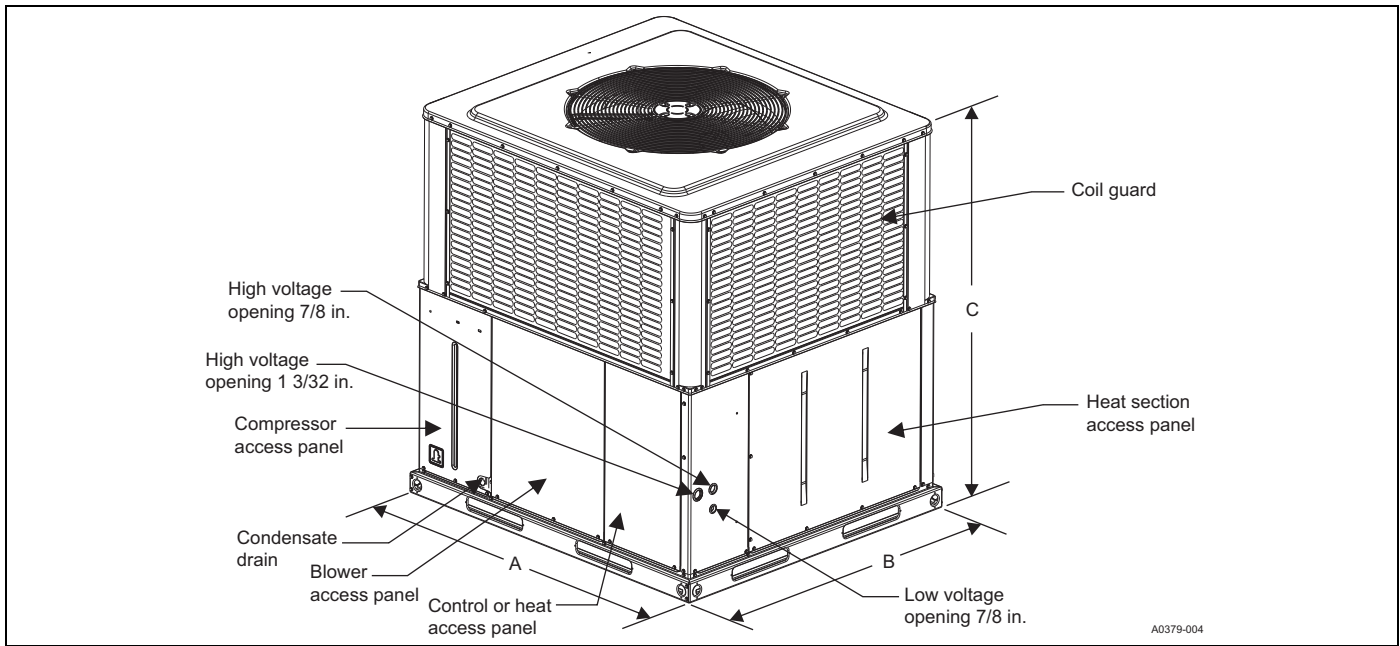
Direction	Distance (in.)	Direction	Distance (in.)
Top ¹	36	Right side	36
Side opposite ducts	36	Left side	24
Duct panel	0	Bottom ^{2,3}	1

1. Provide a minimum clearance of 1 in. on all sides of the supply air duct for the first 3 ft of the duct for 20 kW and 25 kW heaters (0 in. thereafter). For all other heaters, make sure that there is 0-in. clearance on all sides for the entire length of the supply air duct.
2. Install units outdoors. Make sure that overhanging structures or shrubs do not obstruct the outdoor air discharge outlet.
3. You can install units on combustible materials made from wood or class A, B, or C roof covering materials if factory base rails are left in place as shipped.

Note: For units installed on a roof curb, you can reduce the minimum clearance between combustible roof curb material and the supply air duct from 1 in. to 1/2 in.

Assembled at a facility with an ISO 9001:2015-certified Quality Management System



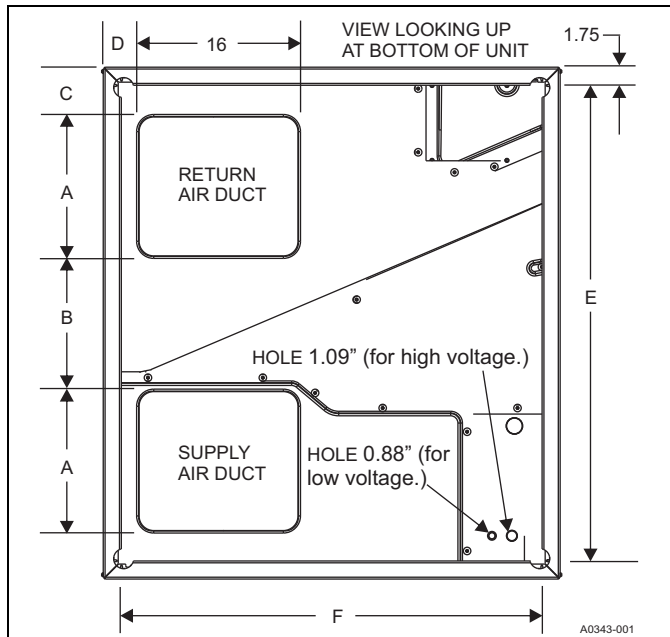


A0379-004

Unit dimensions

Model	Dimensions (in.)		
	A	B	C
PCE4A36	51 1/4	35 3/4	47
PCE4B48	51 1/4	45 3/4	47
PCE4B60	51 1/4	45 3/4	50

Bottom duct dimensions (in.)

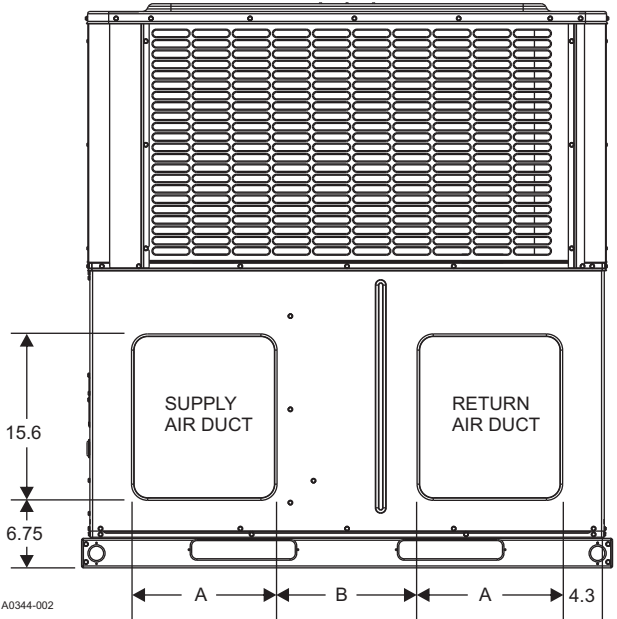


A0343-001

Model	A (in.)	B (in.)	C (in.)	D (in.)	E (in.)	F (in.)
A36	10	21.5	5	4.5	47.5	32
B48, B60	14	13.5	5	3.5	47.5	42

Rear duct dimensions (in.)

NOTE: See Figure titled "Unit Dimensions" for side hole sizes of electrical lines.



A0344-002

Model	A (in.)	B (in.)
A36	9.6	22
B48, B60	13.6	14

Subject to change without notice. Published in U.S.A.
Copyright © 2023 by Johnson Controls. All rights reserved.

6367515-USD-A-0723
Supersedes: 5919607-USD-A-0920

York International Corp.
5005 York Drive
Norman, OK 73069